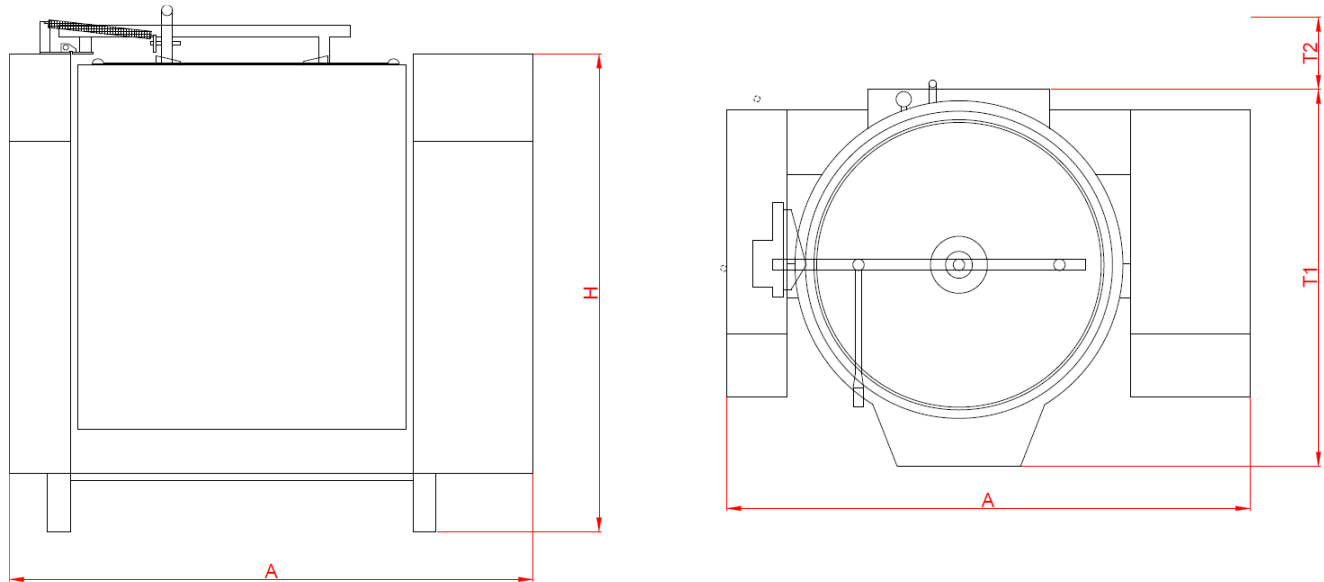


## Technical Specifications



	70 Liter	100 Liter	150 Liter	200 Liter	250 Liter	300 Liter
Net content	70 Liter	100 Liter	150 Liter	200 Liter	250 Liter	300 Liter
Minimum filling quantity	ca. 12 Liter	ca. 15 Liter	ca. 20 Liter	ca. 25 Liter	ca. 28 Liter	ca. 30 Liter
A	1170 mm	1380 mm	1380 mm	1550 mm	1550 mm	1550 mm
H	1260 mm	1260 mm	1260 mm	1320 mm	1380 mm	1380 mm
T1	950 mm	995 mm	995 mm	1110 mm	1150 mm	1150 mm
T2	400 mm	400 mm	400 mm	400 mm	400 mm	400 mm
L <sub>PA</sub>	< 70 db(A)	< 70 db(A)	< 70 db(A)	< 70 db(A)	< 70 db(A)	< 70 db(A)
Weight	345 kg	410 kg	440 kg	510 kg	540 kg	570 kg
Heating power	7,6 kW	9,6 kW	14,4 kW	19,2 kW	21,0 kW	24,0 kW
Mixer power	1,1 kW	1,1 kW	1,1 kW	1,5 kW	1,5 kW	1,5 kW
Electrical connection	10,0 kW 400V 3P~ 16A CEE	12,0 kW 400V 3P~ 32A CEE	17,0 kW 400V 3P~ 32A CEE	21,5 kW 400V 3P~ 63A CEE	24,5 kW 400V 3P~ 63A CEE	27,5 kW 400V 3P~ 63A CEE

2017 Version, Specifications are subject to change.